

Faucets

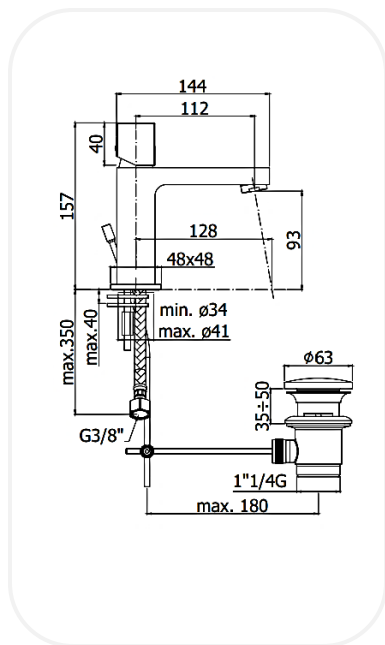


ELXPNF00110

Wash Basin Mixer

FEATURES

- Elegant design
- Single lever wash basin mixer
- Original cartridge for smooth control
- High corrosion resistance plating



SPECIFICATIONS

Series	OSCAR
Finish	Chrome
Material	Brass
Flow Rate	6 l/min
Mounting Type	Deck Mounted
Height	93 mm

PARTS DESCRIPTION

Single Lever Wash Basin Mixer	ELXPNF00110
Flexible Connection Hose	Included

WARRANTY: 5 years

OPTIONAL/RECOMMENDED PRODUCTS

Pop-up waste	Optional
Click Clack Waste	Optional