

Faucets

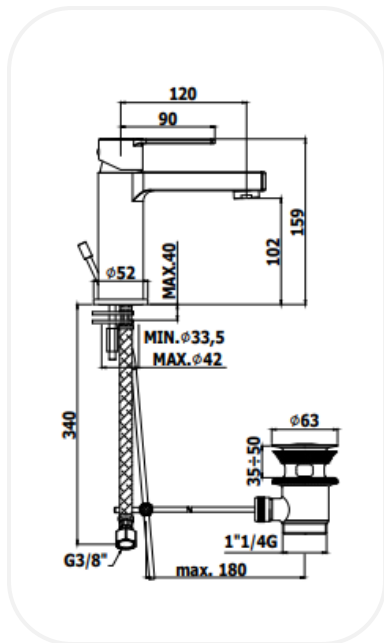


RINP-ESNF00172

Wash Basin Mixer

FEATURES

- Elegant design
- Single lever energy saving wash basin mixer
- Energy Saving Cartridge
- High corrosion resistance plating



WARRANTY: 5 years

SPECIFICATIONS

Series	JAMES
Finish	Chrome
Material	Brass
Flow Rate	6 l/min
Mounting Type	Deck Mounted
Height	102 mm

PARTS DESCRIPTION

Single Lever Wash Basin Mixer	RINP-ESNF00172
Flexible Connection Hose	Included

OPTIONAL/RECOMMENDED PRODUCTS

Pop-up waste	Optional
Click Clack Waste	Optional