

## Luxury Mixers

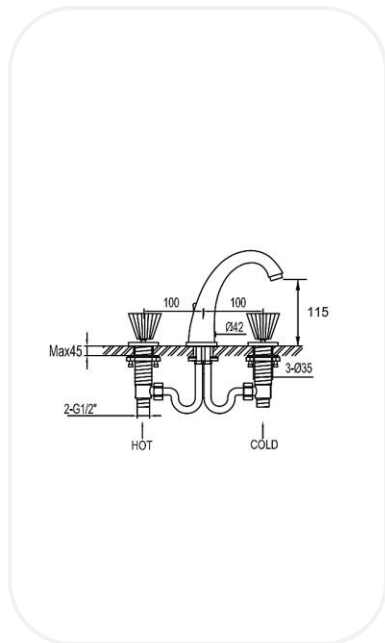


### AM00015

#### Wash Basin Mixer

#### FEATURES

- Luxurious and opulent design
- Wash basin mixer (3-holes)
- Original cartridge for smooth control
- High corrosion resistance plating



#### SPECIFICATIONS

|                      |              |
|----------------------|--------------|
| <b>Series</b>        | Brillante    |
| <b>Finish</b>        | Chrome       |
| <b>Material</b>      | Brass        |
| <b>Flow Rate</b>     | 6 l/min      |
| <b>Mounting Type</b> | Deck Mounted |
| <b>Height</b>        | 155 mm       |

#### PARTS DESCRIPTION

|                                 |          |
|---------------------------------|----------|
| <b>Wash basin mixer</b>         | AM00015  |
| <b>Spout</b>                    | Included |
| <b>Flexible Connection Hose</b> | Included |

**WARRANTY: 5 years**

#### OPTIONAL/RECOMMENDED PRODUCTS

|                          |          |
|--------------------------|----------|
| <b>Pop-up waste</b>      | Optional |
| <b>Click Clack Waste</b> | Optional |