

## Luxury Mixers

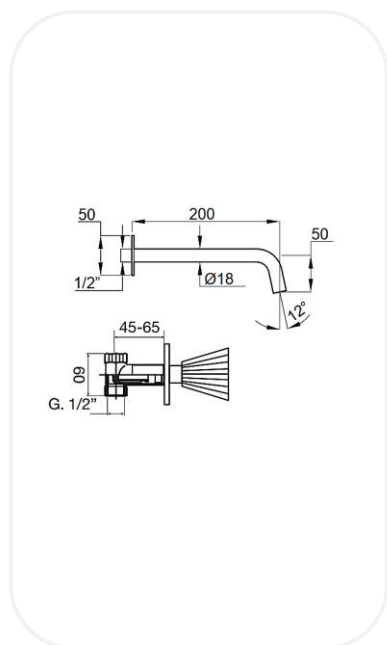


### AM00017

#### Wash Basin Mixer

#### FEATURES

- Luxurious and opulent design
- Concealed 3-hole wash basin mixer
- Original cartridge for smooth control
- High corrosion resistance plating



#### SPECIFICATIONS

|                      |           |
|----------------------|-----------|
| <b>Series</b>        | Brillante |
| <b>Finish</b>        | Chrome    |
| <b>Material</b>      | Brass     |
| <b>Flow Rate</b>     | 6 l/min   |
| <b>Mounting Type</b> | Concealed |
| <b>Spout Length</b>  | 200 mm    |

**WARRANTY: 5 years**

#### PARTS DESCRIPTION

|                                   |          |
|-----------------------------------|----------|
| <b>Concealed wash basin mixer</b> | AM00017  |
| <b>Spout</b>                      | Included |

#### OPTIONAL/RECOMMENDED PRODUCTS

**Click Clack Waste**                      Optional