

Showers



ZCOLNF00056

Shower Column

FEATURES

Practical elegant design

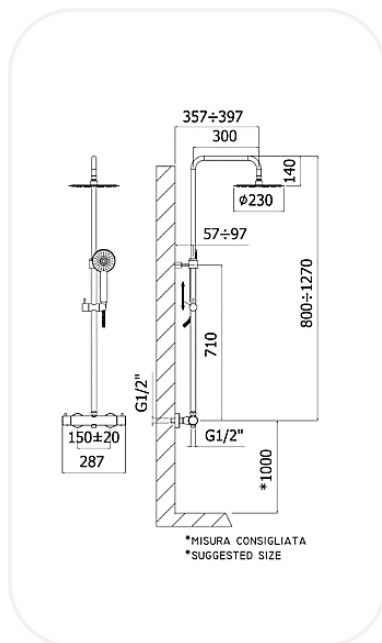
Adjustable shower column complete with:

Round Ø230mm metal shower head

Round sliding bracket

ABS hand shower

Thermostatic shower mixer LIQTNF00226 (with diverter)



SPECIFICATIONS

Series	SPRINKLE
Hand Shower	ABS, 1 Function
Shower Head	Metal, Ø230mm
Hose	1500mm
Mixer	Thermostatic
Finish	Chrome
Flow Rate	8 l/min

WARRANTY: 5 years

PARTS DESCRIPTION

Shower Column	ZCOLNF00056
----------------------	-------------