

## Showers



### ZCOLNF00347

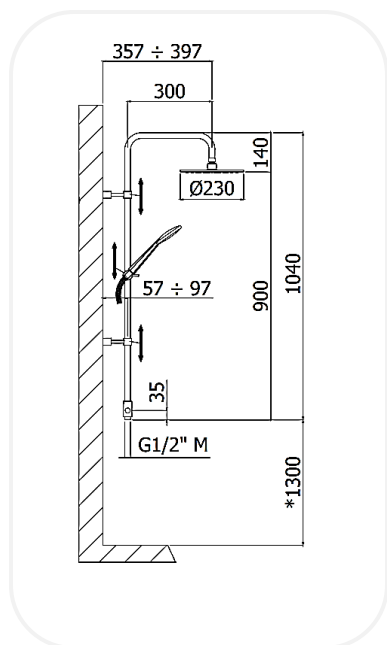
#### Shower Column

##### FEATURES

Practical elegant design

Shower column complete with:

- Diverter
- Round slider
- Round sliding brackets
- ABS hand shower with fixed tube
- without mixer



##### SPECIFICATIONS

<b>Series</b>	SPRINKLE
<b>Hand Shower</b>	ABS, 1 Function
<b>Shower Head</b>	Metal, Ø230mm
<b>Hose</b>	Metal, 1500mm
<b>Mixer</b>	Not Included
<b>Finish</b>	Chrome

**WARRANTY:** 5 years

##### PARTS DESCRIPTION

<b>Shower Column</b>	ZCOLNF00347
----------------------	-------------