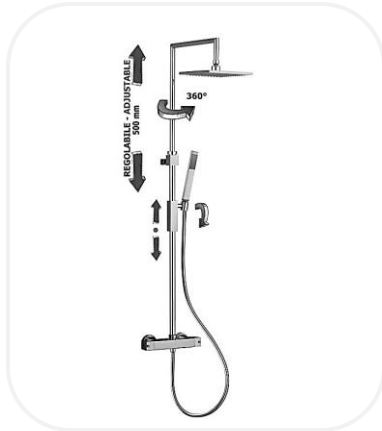


Showers



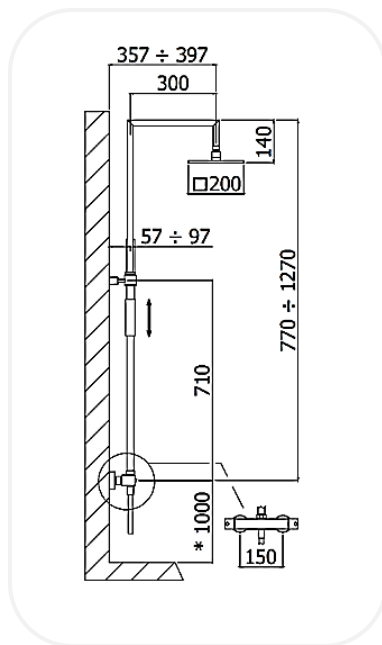
ZCOLNF00349

Shower Column

FEATURES

Practical elegant design

Adjustable shower column complete with:
 Square sliding bracket
 Metal hand-shower
 Thermostatic shower mixer (with diverter)



SPECIFICATIONS

Series	SPRINKLE
Hand Shower	Metal, 1 Function
Shower Head	Metal, 200x200mm
Hose	PVC, 1500mm
Mixer	Thermostatic
Finish	Chrome
Flow Rate	8 l/min

WARRANTY: 5 years

PARTS DESCRIPTION

Shower Column	ZCOLNF00349
----------------------	-------------