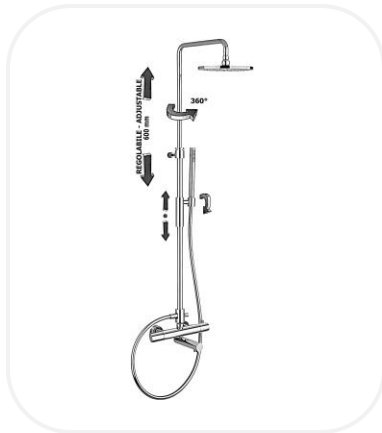


## Showers



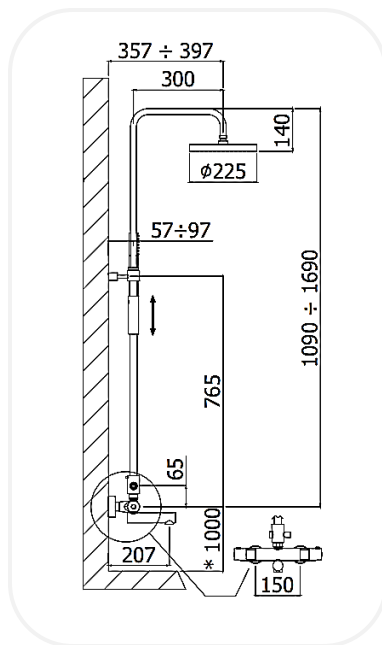
### ZCOLNF00374

#### Shower Column

#### FEATURES

Practical elegant design

Adjustable shower column complete with:  
 Round sliding bracket  
 Metal hand-shower  
 Long adjustable tube  
 Thermostatic bath/shower mixer (with diverter)



#### SPECIFICATIONS

<b>Series</b>	SPRINKLE
<b>Hand Shower</b>	Metal, 1 Function
<b>Shower Head</b>	Metal, $\phi 225$ mm
<b>Hose</b>	PVC, 1500mm
<b>Mixer</b>	Bath/Shower Mixer
<b>Finish</b>	Chrome
<b>Flow Rate</b>	8 l/min

**WARRANTY:** 5 years

#### PARTS DESCRIPTION

<b>Shower Column</b>	ZCOLNF00374
----------------------	-------------