

Showers



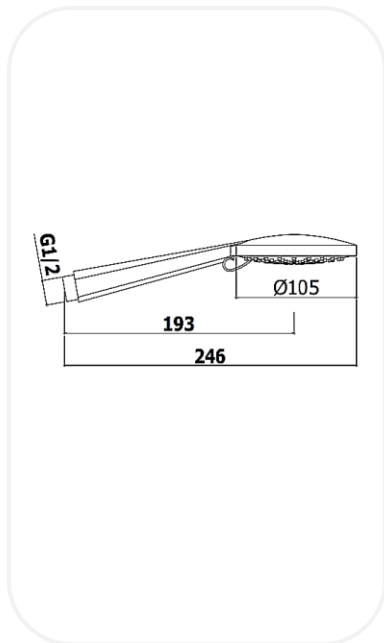
ZDOCNF00388

Hand Shower

FEATURES

Elegant design

ABS hand-shower (Four spray-functions)



SPECIFICATIONS

Series RAIN

Finish Chrome

Material ABS

Dimension Ø 105 mm

PARTS DESCRIPTION

Hand Shower ZDOCNF00388

WARRANTY: 5 years