

## Showers



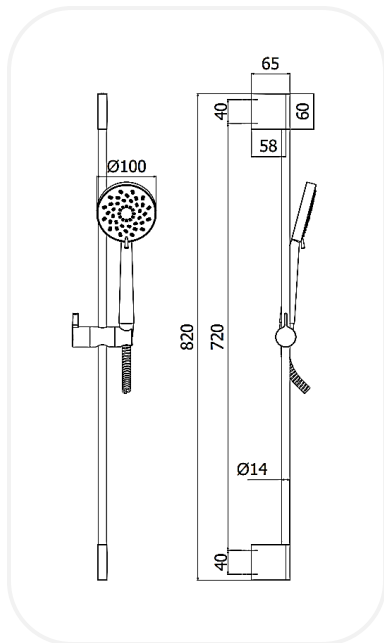
### ZSALNF00054

#### Shower Set

#### FEATURES

Elegant design

Sliding rail shower set with metal rod, ABS slider bracket for hand shower, ABS hand shower (3-functions) and twist free brass hose.



#### SPECIFICATIONS

<b>Series</b>	SLED
<b>Finish</b>	Chrome
<b>Material / Sliding Rail</b>	Metal, Ø14x820mm
<b>Material / Hand Shower</b>	ABS, Ø100mm, 3-Functions
<b>Hose</b>	Brass, 1500mm

**WARRANTY:** 5 years

#### PARTS DESCRIPTION

<b>Sliding rail shower set</b>	ZSALNF00054
--------------------------------	-------------