

Showers



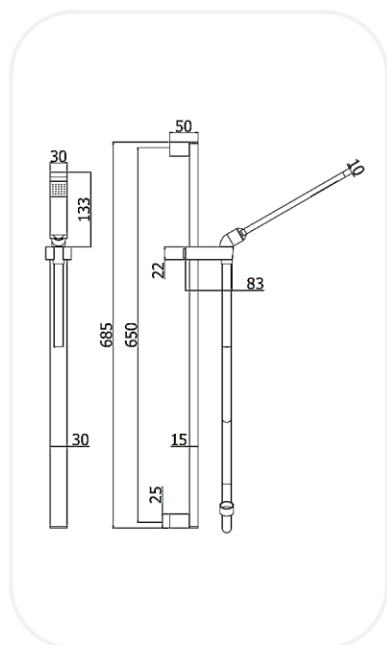
ZSALNF00427

Shower Set

FEATURES

Elegant design

Sliding rail shower set complete with:
 Rectangular metal rod
 ABS fixed wall bracket
 ABS slider bracket for hand-shower
 Premium metal hand-shower with elbow
 double interlock twist-free metal flexible hose 1500mm
 with conical nut
 Rectangular ABS soap dish



SPECIFICATIONS

Series	SLED
Finish	Chrome
Material / Sliding Rail	Metal , L,685 mm
Material / Hand Shower	ABS, 1-Function
Hose	Metal, 1500mm

WARRANTY: 5 years

PARTS DESCRIPTION

Sliding rail shower set	ZSALNF00427
Soap dish	Included