

Showers



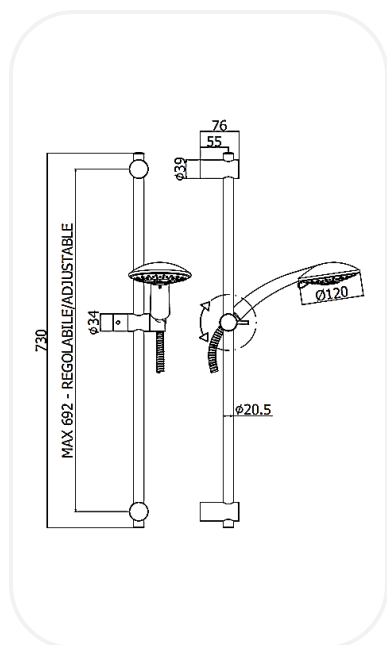
ZSALNF00428

Shower Set

FEATURES

Elegant design

Sliding rail shower set complete with:
 Adjustable ABS wall brackets
 Metal slider bracket
 ABS hand shower, four-spray functions, Ø120 mm
 With metal rod Ø20,5 x L.730 mm
 Double interlock twist-free metal flexible hose
 1500mm with conical nut



SPECIFICATIONS

Series	SLED
Finish	Chrome
Material / Sliding Rail	Metal, Ø20.5x730mm
Material / Hand Shower	ABS, Ø120mm, 4-Functions
Hose	Metal, 1500mm

PARTS DESCRIPTION

Sliding rail shower set	ZSALNF00428
--------------------------------	-------------

WARRANTY: 5 years