

Showers



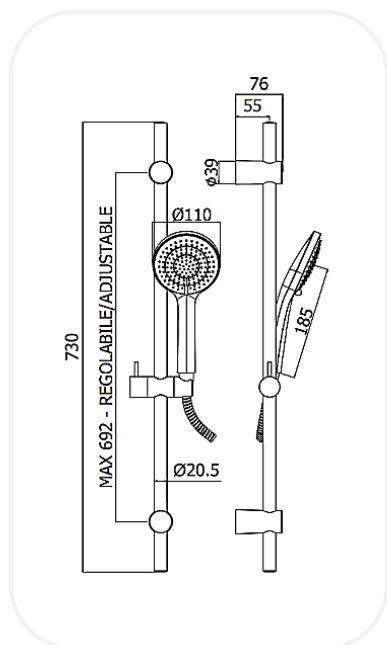
ZSALNF00432

Shower Set

FEATURES

Elegant design

Sliding rail shower set complete with:
 Metal rod $\varnothing 20,5 \times L.730$ mm
 Adjustable ABS wall brackets
 Metal slider bracket
 ABS hand shower, three-spray functions, $\varnothing 110$ mm
 With 1500mm double interlock flexible hose and conical nut.



WARRANTY: 5 years

SPECIFICATIONS

Series	SLED
Finish	Chrome
Material / Sliding Rail	Metal, $\varnothing 20.5 \times 730$ mm
Material / Hand Shower	ABS, $\varnothing 110$ mm, 3-Functions
Hose	Metal, 1500mm

PARTS DESCRIPTION

Sliding rail shower set	ZSALNF00432
--------------------------------	-------------