

Showers



ZSALNF00433

Shower Set

FEATURES

Elegant design

Sliding rail shower set complete with:

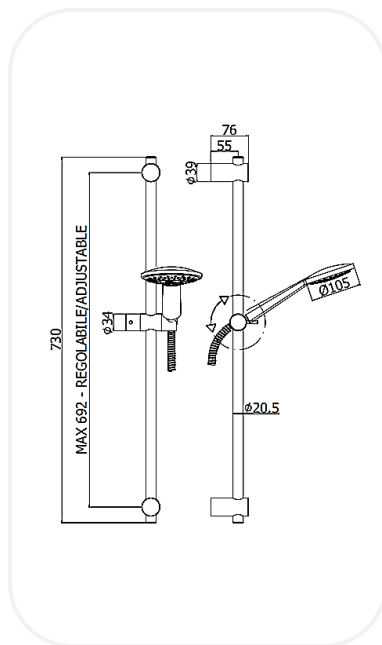
Metal rod $\varnothing 20,5 \times L.730$ mm

Adjustable ABS wall brackets

Metal slider bracket

ABS hand shower, single spray, $\varnothing 105$ mm

Double interlock twist-free metal flexible hose 1500mm with conical nut.



WARRANTY: 5 years

SPECIFICATIONS

Series	SLED
Finish	Chrome
Material / Sliding Rail	Metal, $\varnothing 20.5 \times 730$ mm
Material / Hand Shower	ABS, $\varnothing 105$ mm, 1-Function
Hose	Metal, 1500mm

PARTS DESCRIPTION

Sliding rail shower set	ZSALNF00433
--------------------------------	-------------