

## Showers



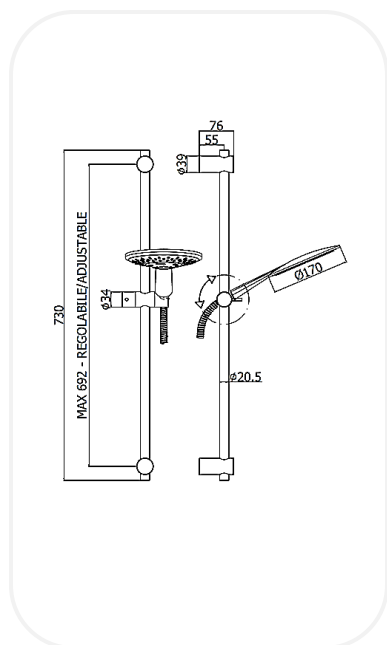
### ZSALNF00434

#### Shower Set

#### FEATURES

Elegant design

Sliding rail shower set complete with:  
 Metal rod  $\varnothing 20,5 \times L.730$  mm  
 Adjustable ABS wall brackets  
 Metal slider bracket  
 ABS hand shower, single spray,  $\varnothing 170$  mm  
 Black PVC hose 1500mm twist free with conical nut.



#### SPECIFICATIONS

<b>Series</b>	SLED
<b>Finish</b>	Chrome
<b>Material / Sliding Rail</b>	Metal, $\varnothing 20.5 \times 730$ mm
<b>Material / Hand Shower</b>	ABS, $\varnothing 170$ mm, 1-Function
<b>Hose</b>	Black PVC, 1500mm

**WARRANTY:** 5 years

#### PARTS DESCRIPTION

<b>Sliding rail shower set</b>	ZSALNF00434
--------------------------------	-------------