

## Showers



### ZSOFNF00285

#### Shower Head

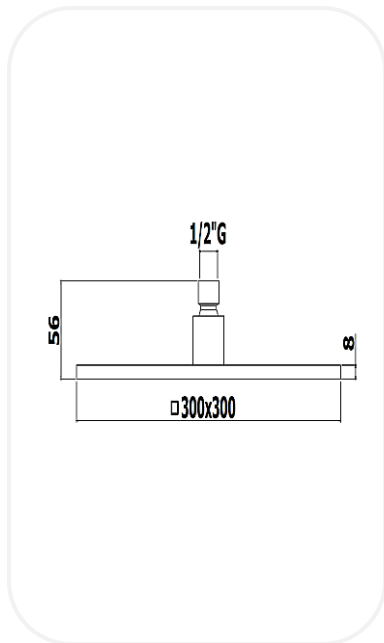
##### FEATURES

Elegant design

Anti-scale System  
Thickness 8mm

##### SPECIFICATIONS

<b>Series</b>	WATERFALL
<b>Finish</b>	Chrome
<b>Material</b>	Metal
<b>Dimension</b>	300x300mm
<b>Shape</b>	Square



##### PARTS DESCRIPTION

<b>Shower Head</b>	ZSOFNF00285
--------------------	-------------

**WARRANTY:** 5 years