

Showers



ZSOFNF00291

Shower Head

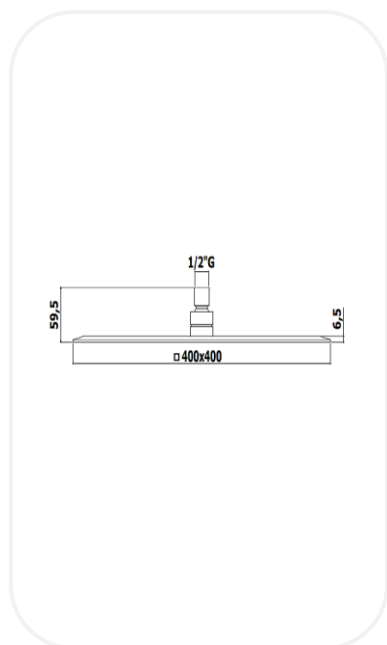
FEATURES

Elegant design

Ceiling Shower Head

Anti-scale System

Thickness 6.5mm



SPECIFICATIONS

Series WATERFALL

Finish Chrome

Material Metal

Dimension 400x400mm

Shape Square

PARTS DESCRIPTION

Shower Head ZSOFNF00291

WARRANTY: 5 years