

## Showers

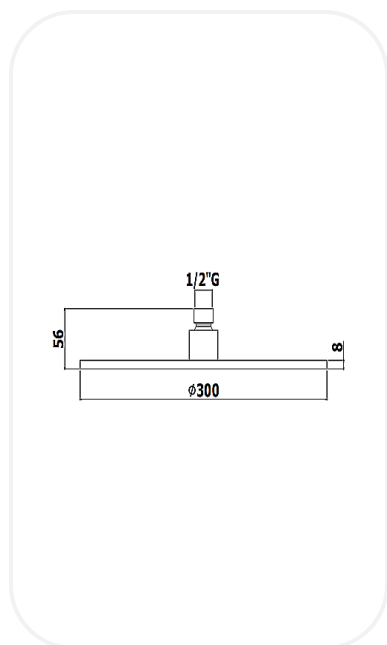


### ZSOFNF00304

#### Shower Head

#### FEATURES

Elegant design  
 Anti-scale System  
 Thickness 8mm



#### SPECIFICATIONS

<b>Series</b>	WATERFALL
<b>Finish</b>	Chrome
<b>Material</b>	Metal
<b>Dimension</b>	Ø300mm
<b>Shape</b>	Round

#### PARTS DESCRIPTION

<b>Shower Head</b>	ZSOFNF00304
--------------------	-------------

**WARRANTY:** 5 years