

Showers



ZSOFNF00306

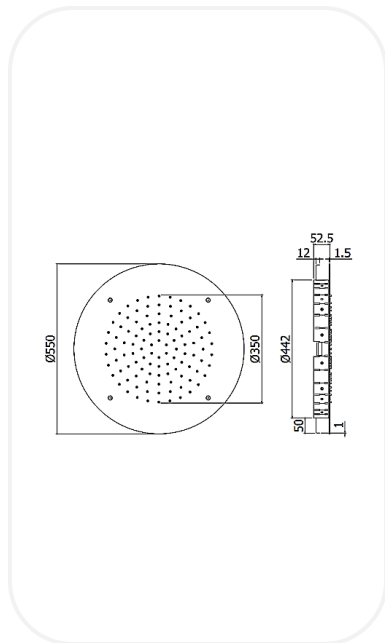
Shower Head

FEATURES

Elegant design

Concealed Ceiling Shower Head

Anti-scale System



SPECIFICATIONS

Series	WATERFALL
Finish	Chrome
Material	Metal
Dimension	Ø550mm
Shape	Round

PARTS DESCRIPTION

Shower Head	ZSOFNF00306
--------------------	-------------

WARRANTY: 5 years